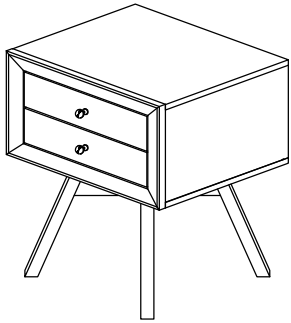


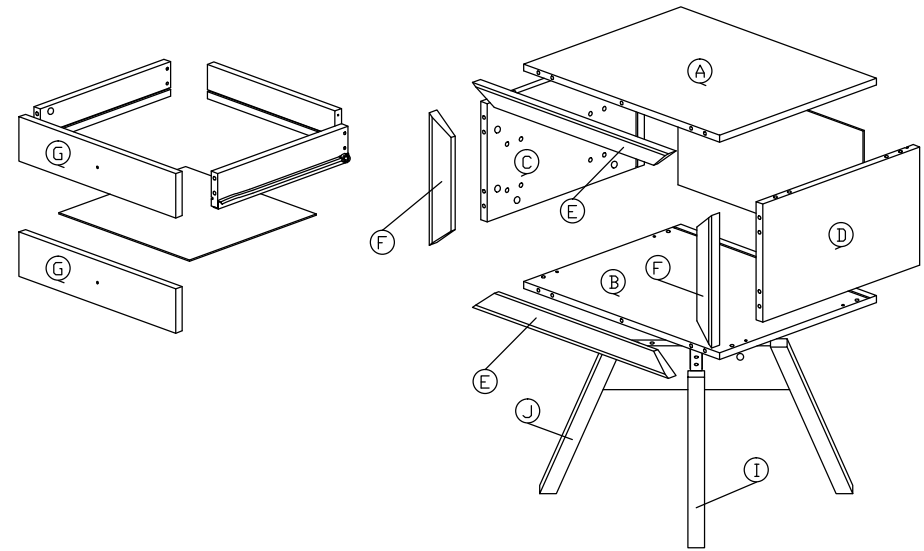
Assembly Instruction

Model : ST - 005

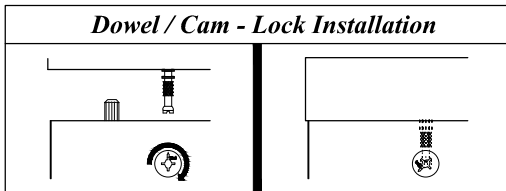


Hardware List			
No.	SHAPE	DESCRIPTION	Qty.
1		8x25mm Wood Dowel	26Pcs
2		M3.5x16mm Screw	29Pcs
3		M4x38mm Screw	8Pcs
4		15MM Titus Mini Fix	24Sets
5		15mm Minifix Cap	4Pcs
6		Drawer Slide 12" (300mm)	2Sets
7		PVC Drawer Pin	8Pcs
8		Handle (2293) M4x20mm Handle Screw	2Sets
9		Nail Leg	4Pcs
10		Z Bracket	2Pcs
11		Metal Plate	1Pc

Part List

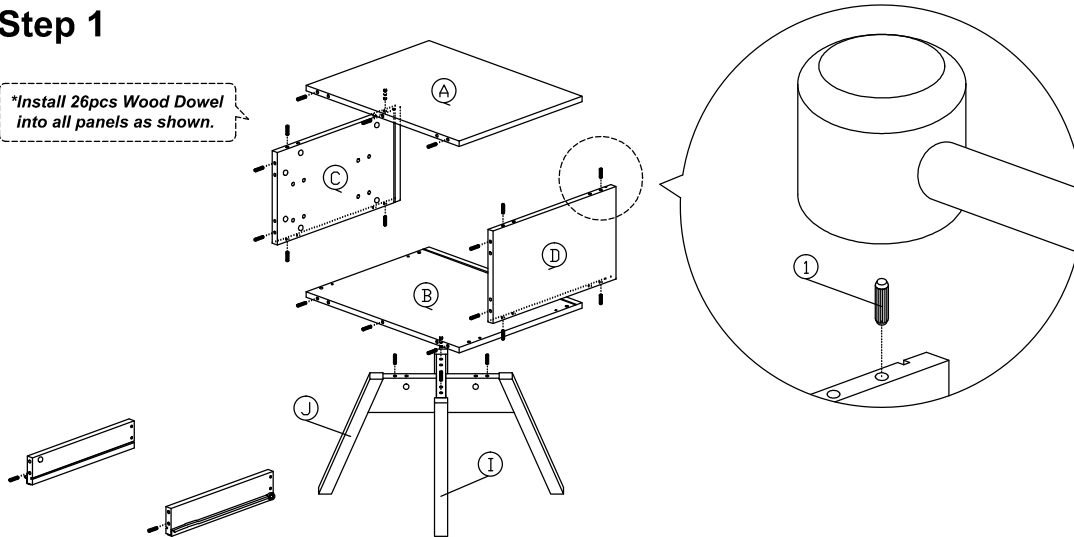


Dowel / Cam - Lock Installation



Step 1

*Install 26pcs Wood Dowel into all panels as shown.



Step 2

*Install 24pcs minifix bolt to both side panels as shown.

